

4

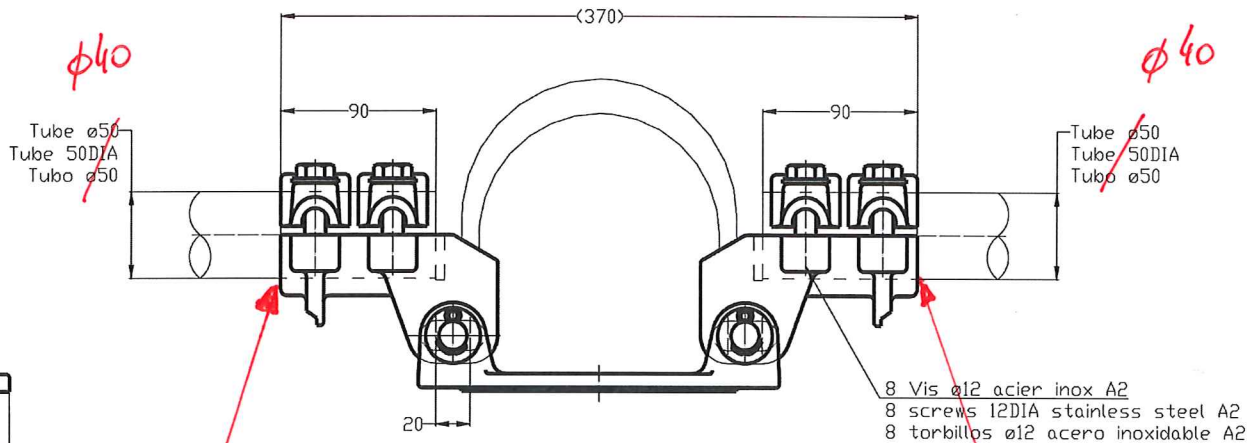
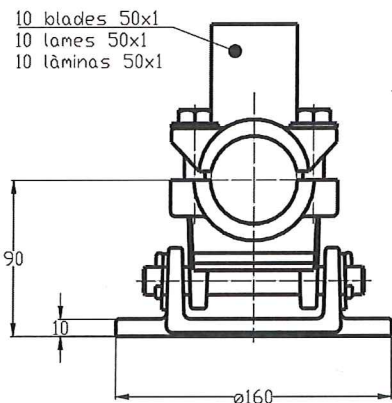
3

2

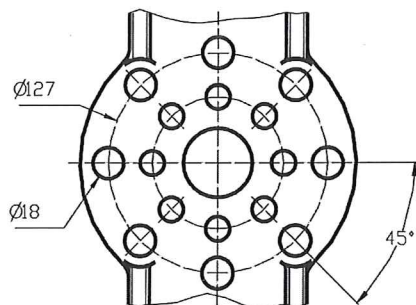
1

THIS DRAWING IS UNPUBLISHED. RELEASED FOR PUBLICATION ALL RIGHTS RESERVED.

REVISIONS				
P	LIR	DESCRIPTION	DATE	APVD
C		UPDATED DRAWING	14-Dec-12	PG



*SLEEVE ALU Alloy .  
φ50 x 40*



ITEM: 4

THIS DRAWING IS A CONTROLLED DOCUMENT.		DWI NIVQIS	03-Oct-01	<b>STE</b> TE Connectivity	
DIMENSIONS: mm		CHK	-		
TOLERANCES UNLESS OTHERWISE SPECIFIED:		APVD	-	NAME S 981 C2 50B 127	
0 PLC ± - 1 PLC ± - 2 PLC ± - 3 PLC ± - 4 PLC ± - ANGLES ± -		PRODUCT SPEC	02BFH0062		
MATERIAL		FINISH	APPLICATION SPEC	SIZE	CAGE CODE
-		-	-	A3	00779
		APPROX. WEIGHT	3.4 kg	DRAWING NO	C=714366
		CUSTOMER DRAWING	RESTRICTED TO		-
		SCALE	1:3	SHEET	1 of 1
		REV	C		

*40BF*